
Sommario

L3-IP1	3
Information	3
<i>Release</i>	3
Descrizione	3
Wiring example	3
<i>Digital inputs PNP</i>	5
<i>Digital outputs (500 mA)</i>	5
Programming information	5
<i>Example</i>	5
<i>Example</i>	6

~~BOZZA~~

L3-IP1

Specialization card






MIM - Card

Information**Release**

Document release	Description	Note	Date
01	New manual	Valid for hardware release 02 and above	20/03/2012

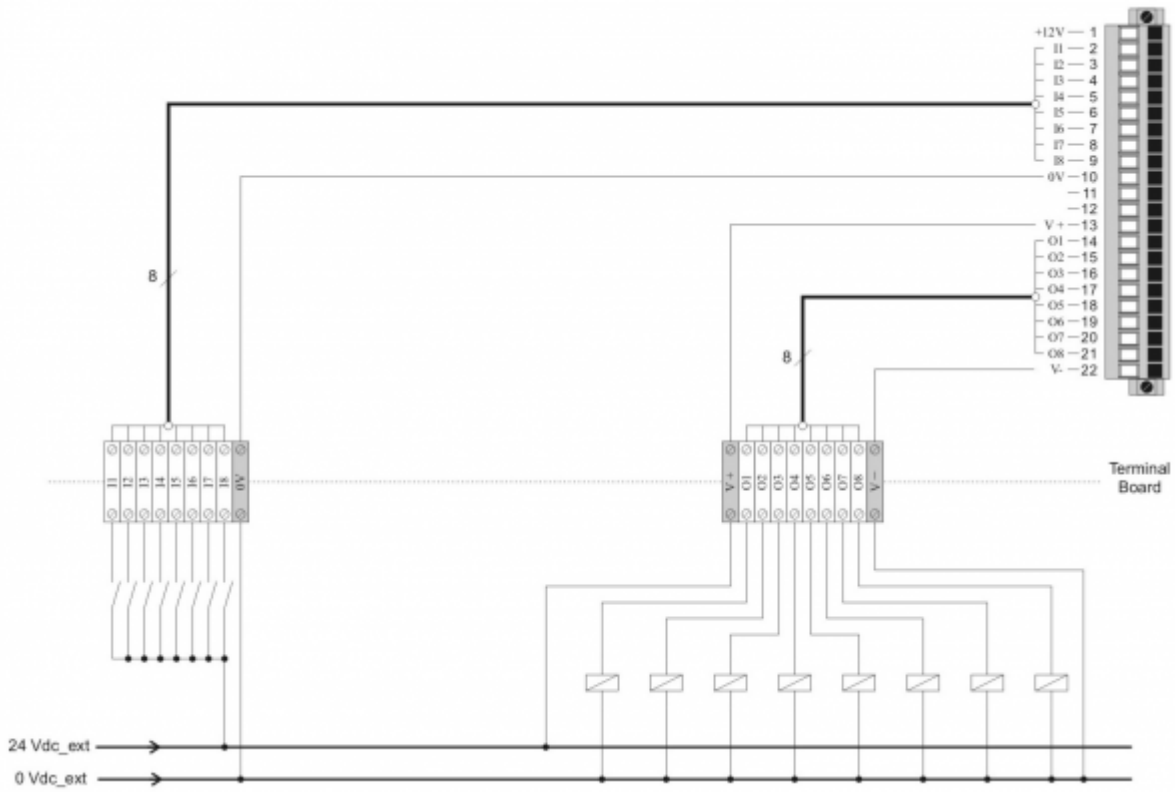
**Descrizione**

Standard equipment	
	8 PNP
	8 500mA

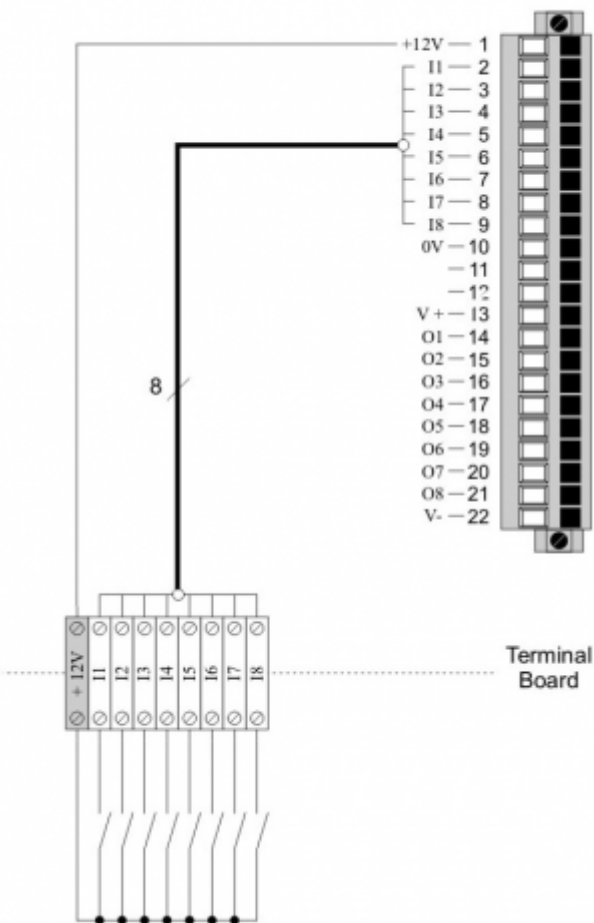
	Pin	Name	Description	Address	
	1	1A	+ 12 V	Voltage supplied 12 volt	-
	2	2	I1	Digital inputs (PNP)	X.INP01
	3	3	I2		X.INP02
	4	4	I3		X.INP03
	5	5	I4		X.INP04
	6	6	I5		X.INP05
	7	7	I6		X.INP06
	8	8	I7		X.INP07
	9	9	I8		X.INP08
	10	10	0V	Voltage supplied 0V	-
	11	11	-	-	-
	12	12	-	-	-
	13	13	V+	OUT 12 ÷ 28 Vdc	-
	14	14	O1	Digital outputs (500 mA)	X.OUT02
	15	15	O2		X.OUT02
	16	16	O3		X.OUT03
	17	17	O4		X.OUT04
	18	18	O5		X.OUT05
	19	19	O6		X.OUT06
	20	20	O7		X.OUT07
	21	21	O8		X.OUT08
	22	22	V-	OUT 12 ÷ 28 Vdc	-

Wiring example

L3-IP1

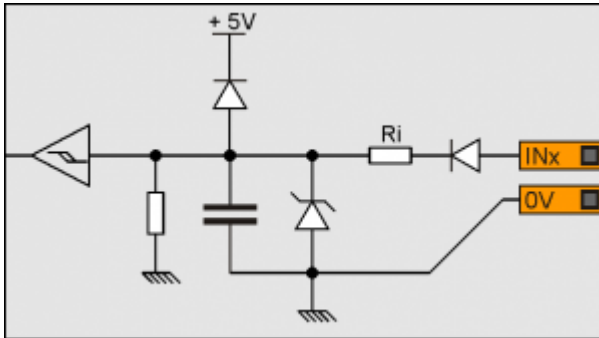


L3-IP1



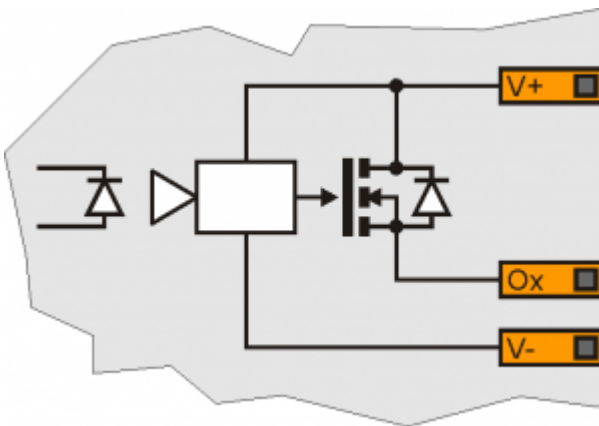
Digital inputs PNP

Bias type	PNP
Min. acquisition time (hardware)	3 ms
Opto-isolation	1000 Vrms
Nominal voltage working	12Vdc
Logic state 0 voltage	0 ÷ 2V
Logic state 1 voltage	10,5 ÷ 26,5 V
Internal Voltage drop	5 V
Input resistance	2700 W



Digital outputs (500 mA)

Commutate load	dc	(PNP)
Maximum operating voltage	12 / 28	Vdc
Opto-isolation	1000	Vpp
Max Internal Voltage drop	0,5	V
Max. resistance of MosFet	0,5	ohm
Max.current of protection	700	mA
Max.current function	500	mA
Off-state current	10	mA
Switching time from ON to OFF	0,15	ms
Switching time from OFF to ON	0,10	ms



Programming information

Card declaration in BUS section of configuration unit:

Slot number	Card software code	Firmware version
X	L3IP1	00

Example

```

BUS
1 983AF 01 ;Slot 1
L3IP0 . . ;Slot 2 (empty)
. . . ;Slot 3
. . . ;Slot 4 (empty)

```

Each hardware resource must be associated with the same address used in the electric description.

Example, if the card is installed in slot 3, the input X.INP01 must be associated to 3.INP01 address.

Example

(In configuration unit)

```
INPUT
ifLS_Max   F   3.INP01
...
```

Documento generato automaticamente da **Qem Wiki** - <https://wiki.qem.it/>

Il contenuto wiki è costantemente aggiornato dal team di sviluppo, è quindi possibile che la versione online contenga informazioni più recenti di questo documento.